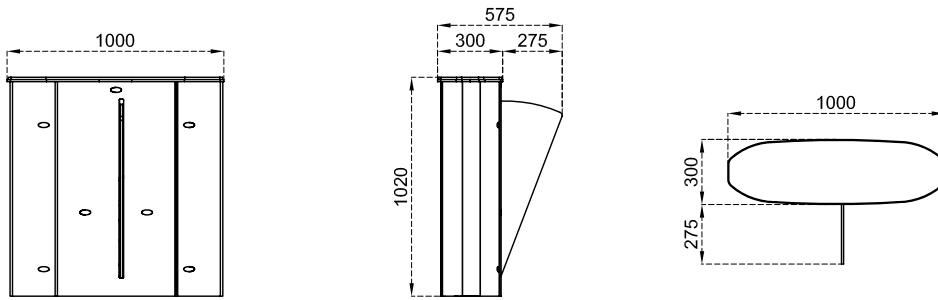


Dimensions (mm)

HG 02 GL-S : SINGLE UNIT (LEFT or RIGHT)



HG 02 GL-C : CENTER UNIT

